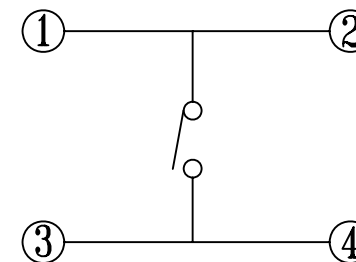
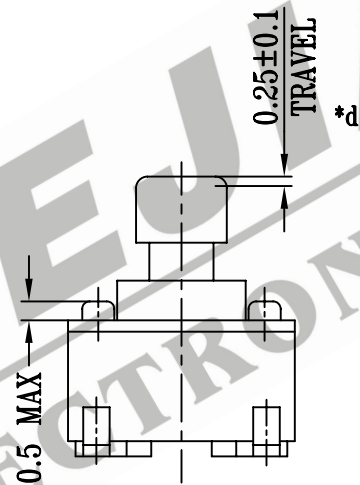
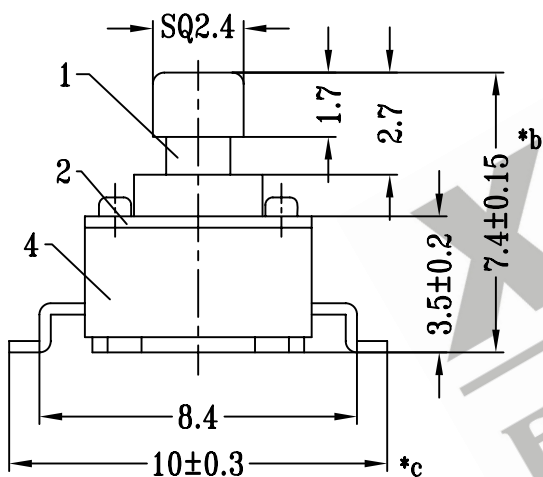
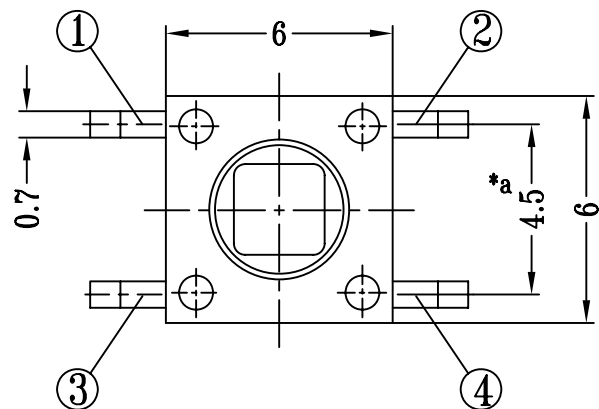
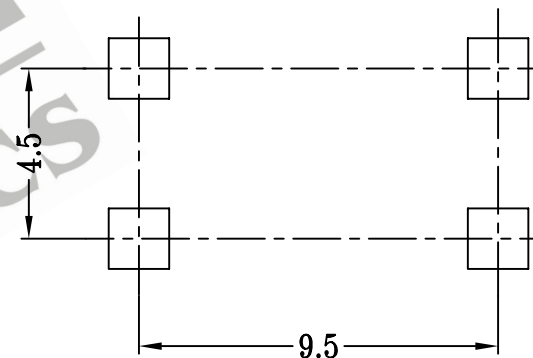


CAD FILE:



SCHEMATIC



P.C.B LAYOUT

注：“\*”表示关键尺寸（4个）

8					TOLERANCE	SHENZHEN XIEJIA ELECTRONICS CO.,LTD.					
7					UNLESS SPECIFIED						
6					WITHIN: 1.5±0.1mm						
5					OVER: 1.5±0.2mm	ISSUE	DATE	DESCRIPTIONS OF REVISION	APPD.		
4	CASE	NYLON+F.G/BRASS STRIP	1	BLACK/Ag PLATED OVER Ni PLATED	TITLE : TACT SWITCH			UNIT : mm	DRWG NO.: XJ-DR-TD0341-00		
3	CONTACT	SEE CONTACT CHART	1	Ag CLAD	MODEL: TD-0341			SCALE: 5 : 1	DWN.	ZHOUYU	2004-12-1
2	COVER	PET/ZINC PLATE	1	CLEAR/Ni PLATED	ALL MATERIALS MUST BE COMPLIANT TO ROHS				CHK'D	FANGYING	2004-12-1
1	KNOB	POM/NYLON+F.G	1	BLUE					APPD.	KANGXINAN	2004-12-1
NO.	PARTS	MATERIALS	Q'TY	FINISH							